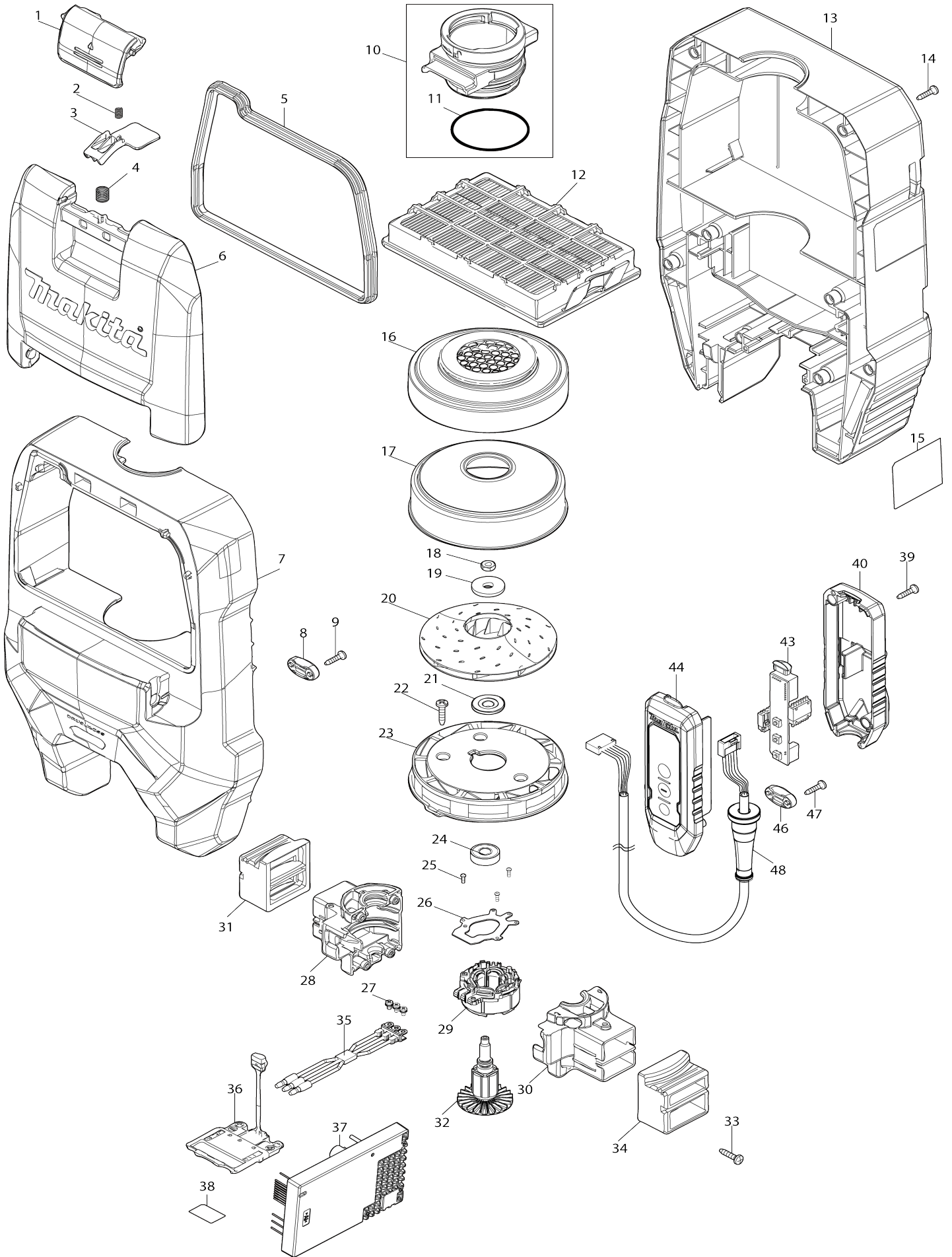
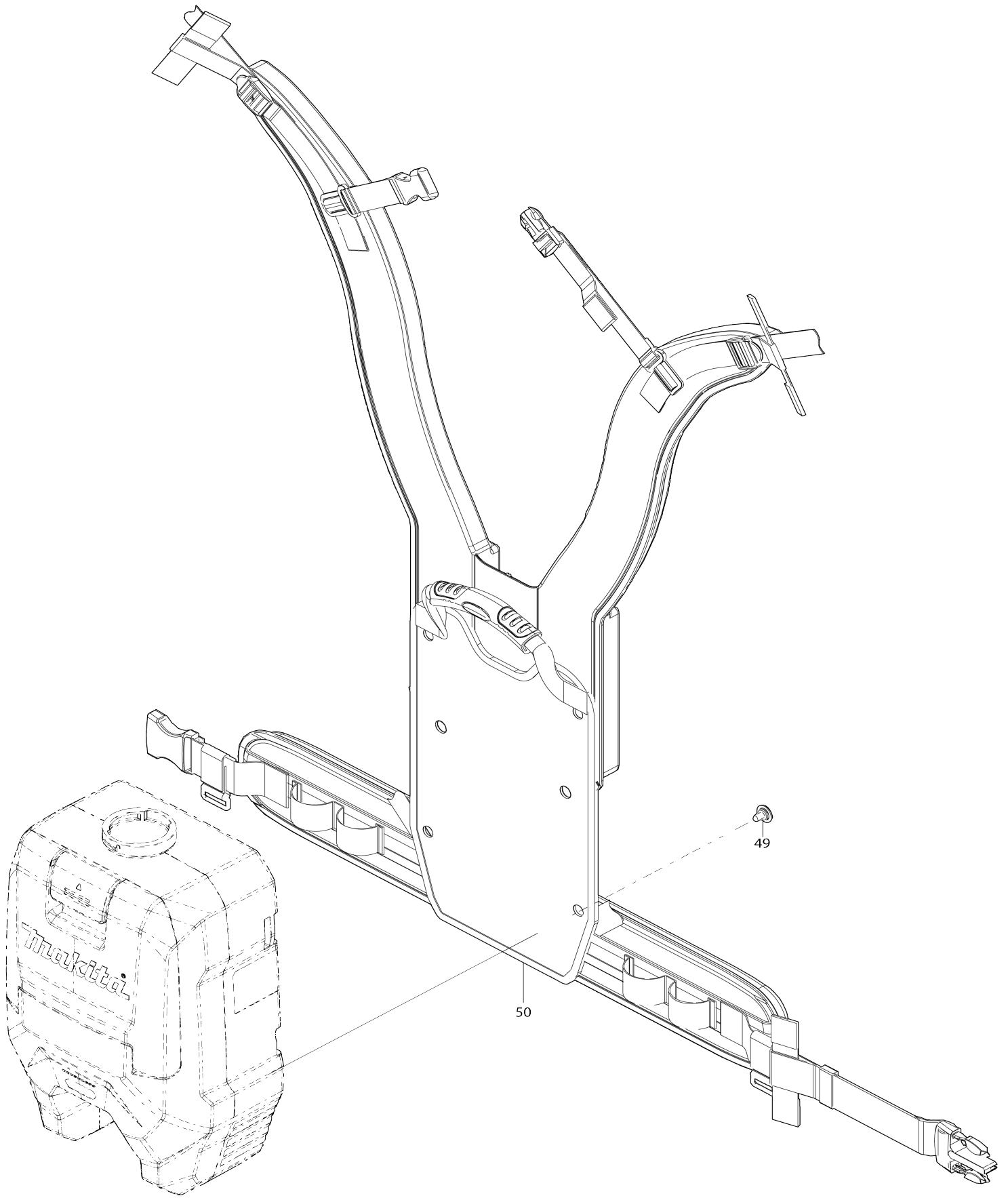


Model No.VC008G CORDLESS BCKPCK VACUUM CLEANER



Model No.VC008G CORDLESS BCKPCK VACUUM CLEANER



Model No.VC008G CORDLESS BCKPCK VACUUM CLEANER

Item No.	Parts No.	Description	Interchangability	Q'ty	New/Old	Note1	Note2
001	413E52-6	HOOK		1			
002	232389-0	COMPRESSION SPRING 5		1			
003	459912-8	STOPPER PLATE		1			
004	234391-9	COMPRESSION SPRING 8		1			
005	422850-7	SEAL		1			
006	413E51-8	DUST BOX COVER		1			
007	136647-5	UPPER HOUSING ASSY		1			
C10	263005-3	RUBBER PIN 6		2			
C20	8025F3-0	XGT LOGO LABEL		1			
008	687124-5	STRAIN RELIEF		1			
009	266326-2	TAPPING SCREW 4X18		2			
010	135771-1	INLET ASS'Y		1			
010		INC. 11					
011	213655-4	O RING 56		1			
012	191Y27-2	MAIN FILTER H SET		1			
013	141H47-4	LOWER HOUSING COMPLETE		1			
C10	422854-9	REAR BLOCK FILTER A		2			
C20	422855-7	REAR BLOCK FILTER B		1			
014	266326-2	TAPPING SCREW 4X18		8			
015	8116N6-5	VC008G NAME PLATE		1			
016	422851-5	SUPPORT RING		1			
017	347965-8	FAN COVER		1			
018	252268-6	HEX. NUT M6		1			
019	253752-4	FLAT WASHER 8		1			
020	240178-9	FAN 104		1			
021	313062-2	FLANGE		1			
022	266326-2	TAPPING SCREW 4X18		3			
023	413E42-9	FAN BASE		1			
024	210005-4	BALL BEARING 608DDW		1			
025	266490-9	TAPPING SCREW PT 2X6		3			
026	620H32-5	CONTROLLER B		1			
027	652069-6	FLAT HEAD SCREW M3X6		3			
028	183V01-6	MOTOR HOUSING SET		1			
028		INC. 30					
029	629B16-4	STATOR		1			
030	183V01-6	MOTOR HOUSING SET		1			
030		INC. 28					
031	422856-5	SUPPORT A		1			
032	619746-3	ROTOR		1			
033	266326-2	TAPPING SCREW 4X18		4			
034	422856-5	SUPPORT A		1			
035	638A29-8	LEAD UNIT		1			
036	632P49-4	TERMINAL UNIT		1	*		
036-1	632W77-1	TERMINAL UNIT	<	1			
037	620H30-9	CONTROLLER		1			
038	8116P4-3	VC008G SERIAL NO. LABEL		1			
039	266130-9	TAPPING SCREW BIND PT 3X16		2			

040	183V66-8	SWITCH CASE SET		1		
C10	8045G1-7	SWITCH LABEL		1		
040		INC. 44				
043	620H33-3	SWITCH CIRCUIT		1		
044	183V66-8	SWITCH CASE SET		1		
C10	8045G1-7	SWITCH LABEL		1		
044		INC. 40				
046	687124-5	STRAIN RELIEF		1		
047	266326-2	TAPPING SCREW 4X18		2		
048	699193-4	POWER SUPPLY CORD UNIT		1		
049	265008-3	+ FLAT HEAD SCREW M5		4		
050	162B36-0	HARNESS		1		
A01	197899-3	DUST BAG ASSEMBLY SET 2L EU		1		
A02A	191G86-8	NOZZLE ASSEMBLY SET		1		
A03	199453-9	HOSE COMPLETE 32-1.0 SET		1		
A04A	140G19-0	TELESCOPIC PIPE COMPLETE		1		
A04B	191X62-4	TELESCOPIC PIPE COMPLETE SET		1		
A05	140G26-3	BENT PIPE COMPLETE		1		
A06	166116-2	HOSE BAND		1		
A07	197903-8	FILTER BAG SET 2L(10PCS)EU		1		
A08A	198919-6	LONG SASH NOZZLE SET 28 WHI		1		
A15B	1912F9-8	NOZZLE ASSEMBLY SET		1		
F13	144408-9	Hose complete 28-1.5		1		
F14	191B15-1	CLEANING WAND SET		1		
F16	191D71-3	CYCLONE ATTACHMENT SET (LOCK)		1		
F18	191D73-9	CYCLONE ATTACHMENT SET (LOCK)		1		
F20	191D75-5	CYCLONE ATTACHMENT SET		1		
F21	191D76-3	STRAIGHT PIPE SET 340		1		
F22	191D77-1	STRAIGHT PIPE SET 340		1		
F23	191D78-9	STRAIGHT PIPE SET 340		1		
F24	191D79-7	STRAIGHT PIPE SET 320		1		
F25	191D80-2	STRAIGHT PIPE SET 320		1		
F26	191D81-0	STRAIGHT PIPE SET 320		1		
F27	191E30-3	FLEXIBLE HOSE SET(LOCK)		1		
F29	191G87-6	NOZZLE ASSEMBLY SET		1		
F30	191M30-1	BRUSH NOZZLE SET		1		
F31	191M77-5	JOINT A 32 SET		1		
F32	191M78-3	JOINT B 35 SET		1		
F33	191M79-1	JOINT C 38 SET		1		
F34	191X06-4	NOZZLE ASSEMBLY SET		1		
F35	191Y14-1	HARNESS COVER SET		1		
F36	191Y27-2	MAIN FILTER H SET		1		
F39	192236-6	TAPERED NOZZLE SET		1		
F42	195545-2	FRONT CUFF 38 SET		1		
F43	195546-0	FRONT CUFF 24 SET		1		
F44	195547-8	FRONT CUFF 22 SET		1		
F45	195548-6	JOINT 22-38 SET		1		
F46	195549-4	T-NOZZLE ASSY A SET(DRY)38		1		
F47	195551-7	T-NOZZLE SET 38		1		
F49	197898-5	DUST BAG ASSEMBLY SET 2L		1		

F50	197899-3	DUST BAG ASSEMBLY SET 2L EU	1		
F52	197903-8	FILTER BAG SET 2L(10PCS)EU	1		
F56	198184-7	F/C SWITCHING T-NOZZLE 38	1		
F60	198533-8	F/C SWITCHING T-NOZZLE 38 EU	1		
F61	198537-0	SHELF BRUSH SET28 IVO EU	1		
F62	191496-7	FLEXIBLE HOSE SET28(IVO)	1		
F63	198552-4	ROUND BRUSH SET 28 IVO	1		
F65	198560-5	TELESCOPIC PIPE SET 28 EU	1		
F68	198868-7	FLEXIBLE HOSE SET28(WHI)	1		
F69	198873-4	SHELF BRUSH SET28 WHI	1		
F70	198878-4	ROUND BRUSH SET 28 WHI	1		
F71A	198919-6	LONG SASH NOZZLE SET 28 WHI	1		
F72	198990-0	LONG SASH NOZZLE SET 28 BLU	1		
F73	198992-6	LONG SASH NOZZLE SET 28 BLK	1		
F74	199038-1	SEAT NOZZLE SET 28 WHI	1		
F75	199039-9	SEAT NOZZLE SET 28 BLK	1		
F76	199041-2	SEAT NOZZLE SET 28 BLU	1		
F77	199439-3	CREVICE NOZZLE 415 SET	1		
F79	199491-1	CYCLONE ATTACHMENT SET	1		
F81	199843-6	PIPE 465 COMPLETE SET	1		
F82	199844-4	JOINT PIPE 465 SET	1		
F91A	1911W4-1	PROTECTION COVER SET	1		
F91B	1911W4-1	PROTECTION COVER SET	1		
F96A	422A02-6	CAP	1		
F96B	422A02-6	CAP	1		
F97	1915W7-9	BRUSH COMPLETE SET	1		
F99A	1914A7-9	Angle attachment set	1		
F99B	1914A7-9	Angle attachment set	1		
G01	1914Y6-9	Rotary brush nozzle set	1		
G02	1914Y7-7	Rotary brush nozzle set	1		
G09A	1912G4-5	TELESCOPIC PIPE COMPLETE SET	1		
G09B	1912G4-5	TELESCOPIC PIPE COMPLETE SET	1		
G10A	1912G5-3	BENT PIPE COMPLETE SET	1		
G10B	1912G5-3	BENT PIPE COMPLETE SET	1		

Please state Parts No. when your order.

Print Date 06/17/2025